

Romantica

040192

EQUIPMENT



2 people



Measure



Drill



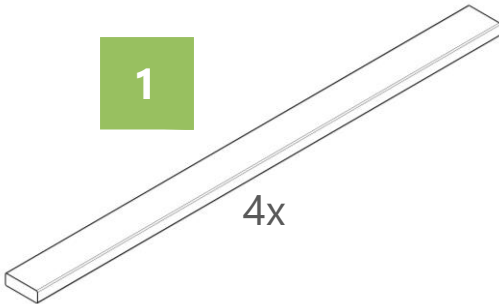
Level



Angle
bracket

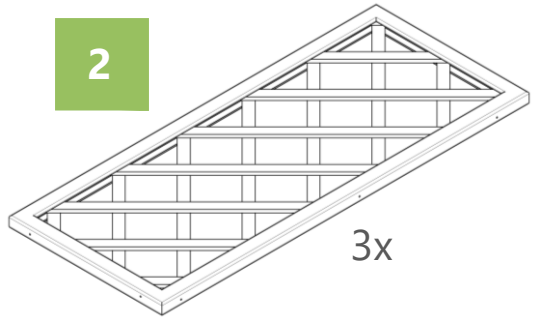
PARTS

1



4x

2



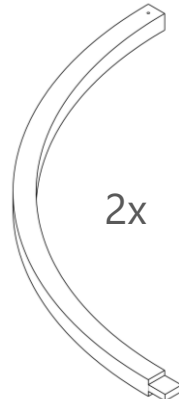
3x

3

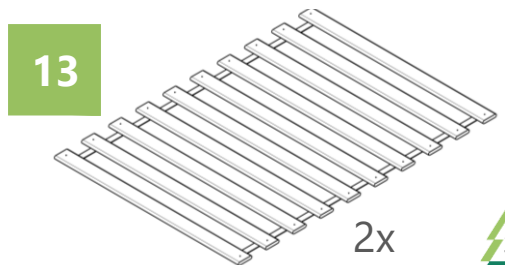
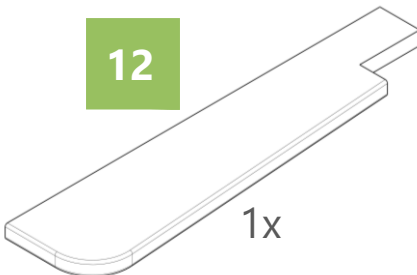
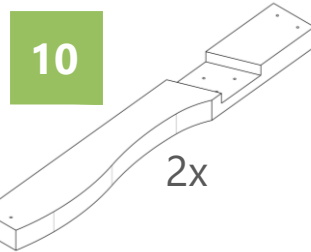
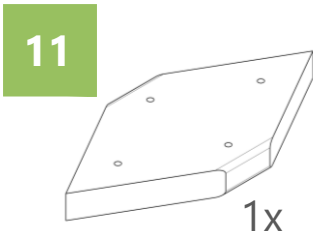
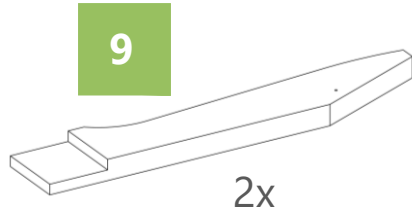
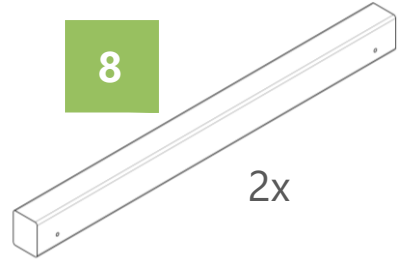
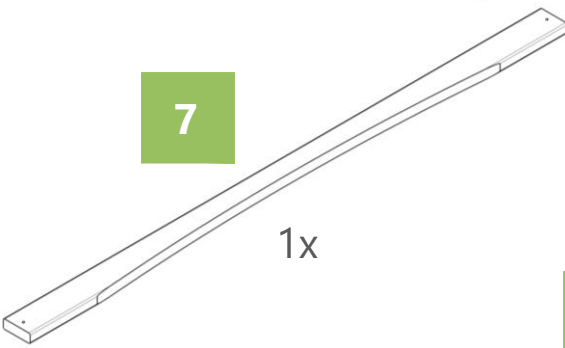
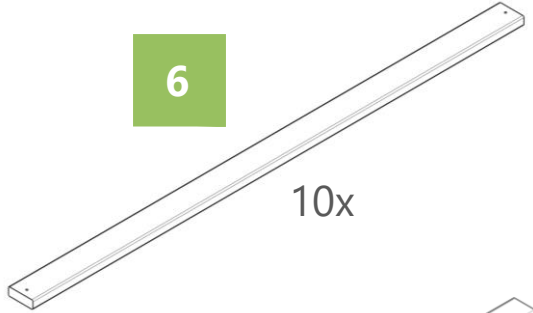
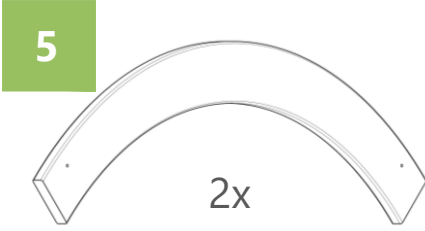


2x

4



2x



FITTINGS

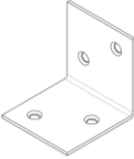
A

1x



B

4x



SCREW BIT: PZ2

C

26x



4x20 mm

D

6x



4x25 mm

E

14x



4x30 mm

F

29x



4x40 mm

G

16x



4x50 mm

H

16x



4x60 mm

SCREW BIT: PZ1

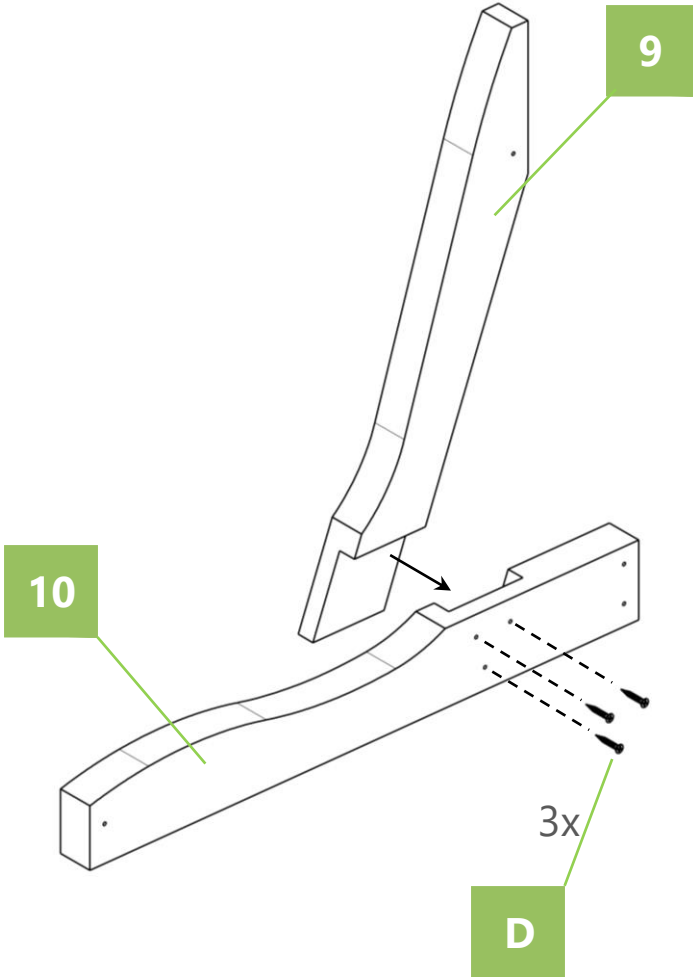
I

16x



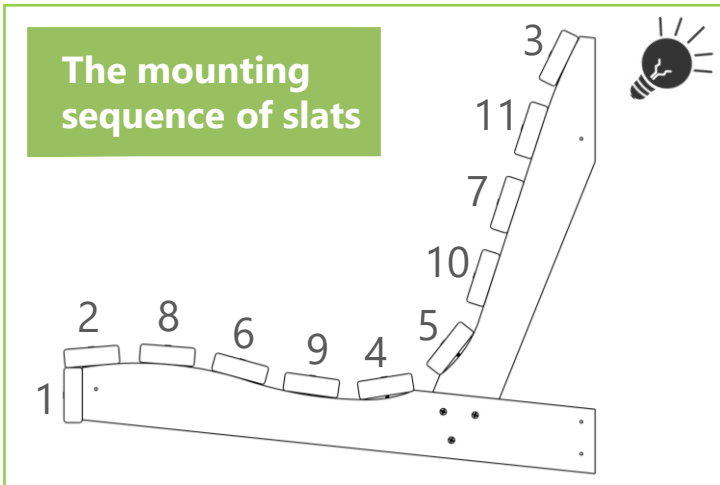
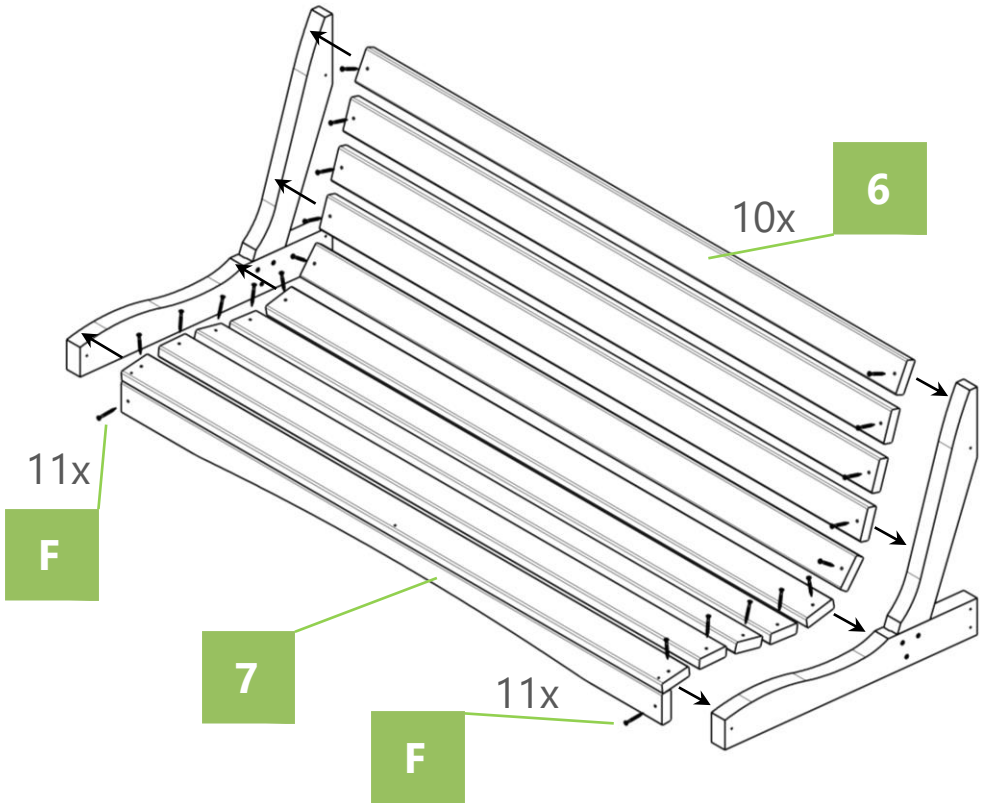
3x16 mm

Step 1

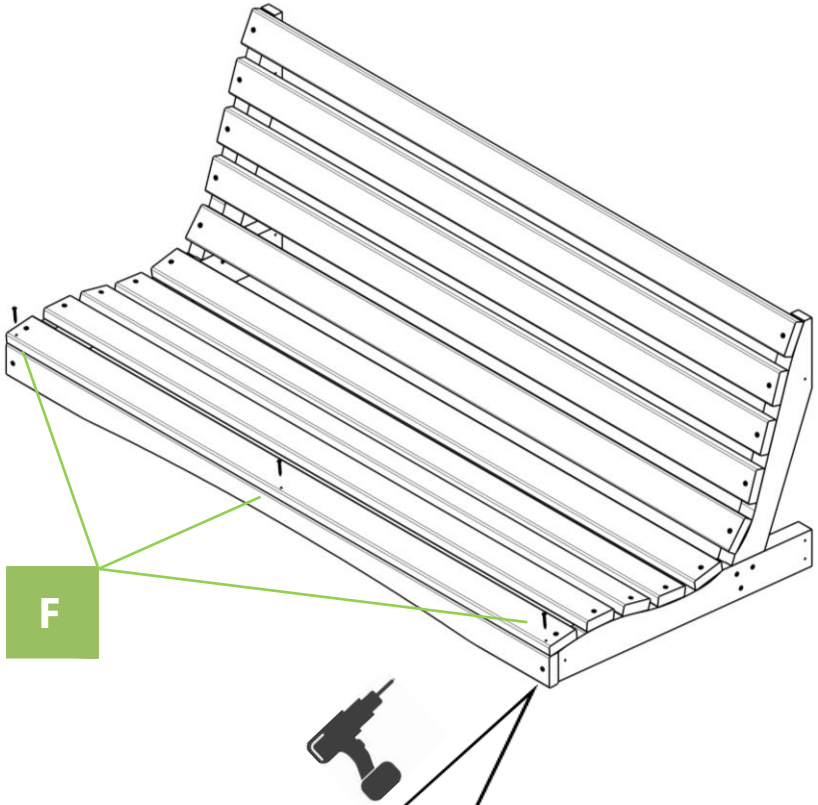


Assemble 2 such segments

Step 2

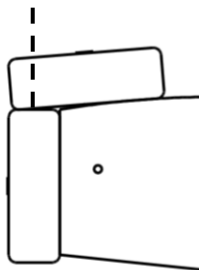


Step 3

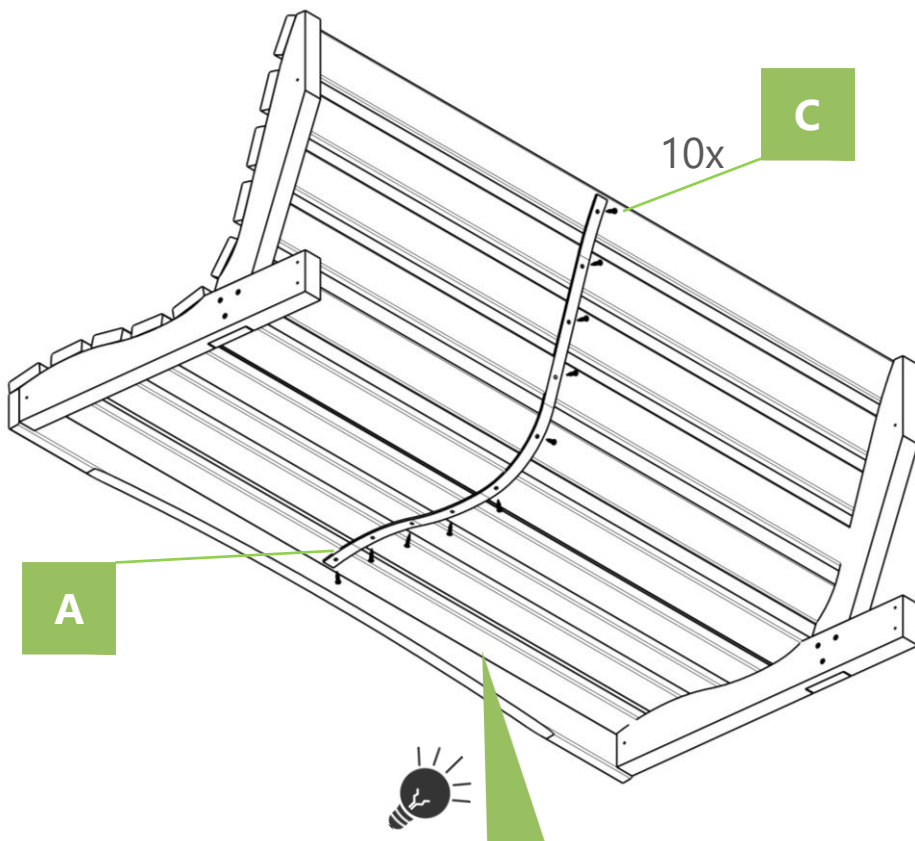


Pre-drill holes for screws in the 2nd slat.

Drill bit: **Ø4**

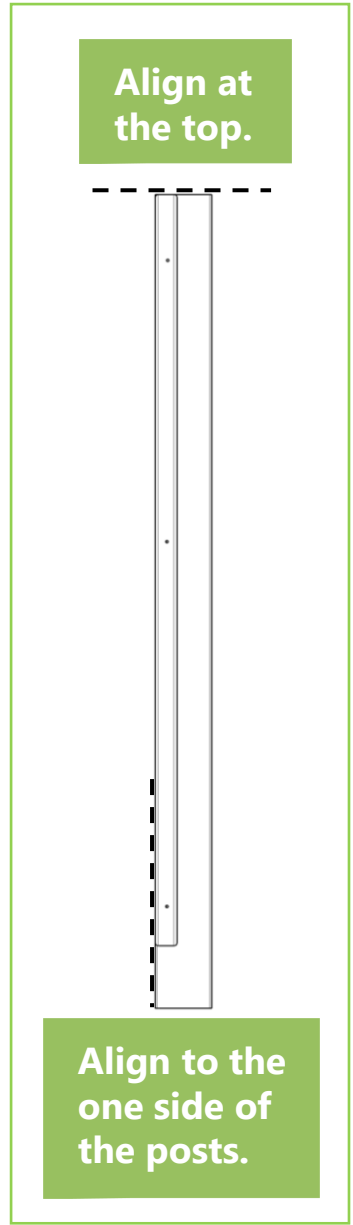
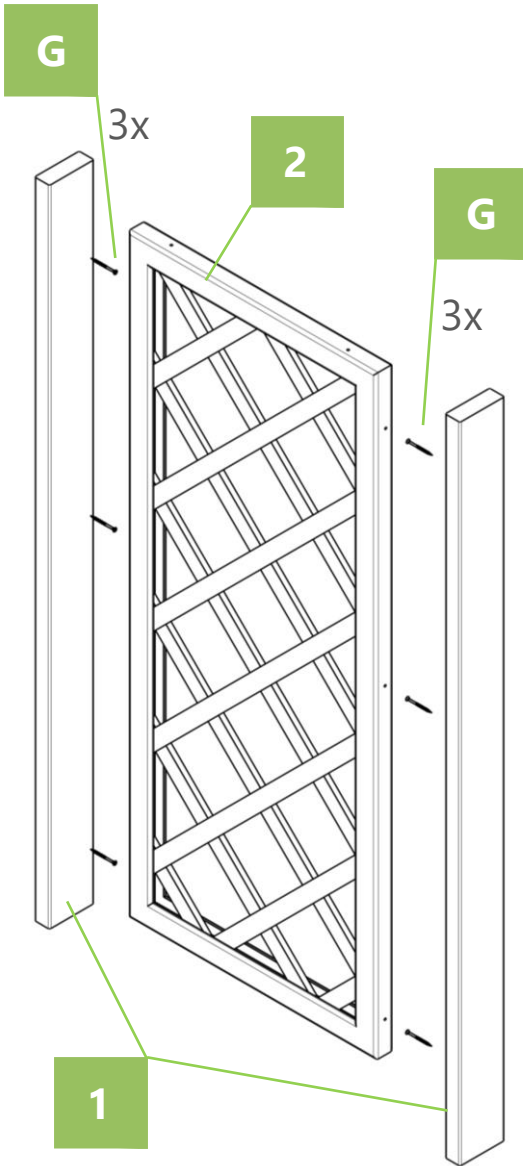


Step 4

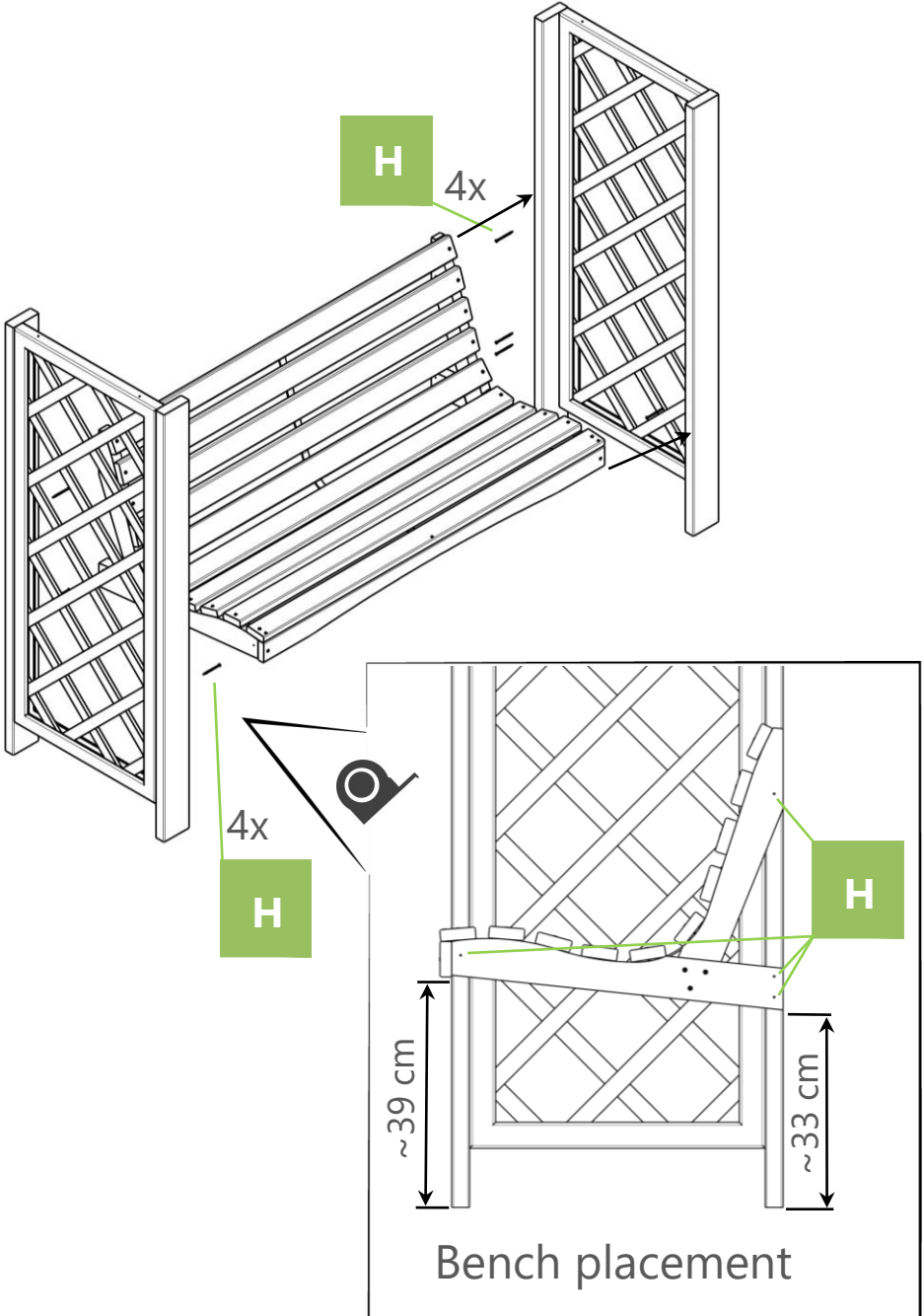


Start mounting the steel flat bar from the 2nd slat from the bottom (see step2 – slat no. 2). Adjust it to the profile of the bench by bending it.

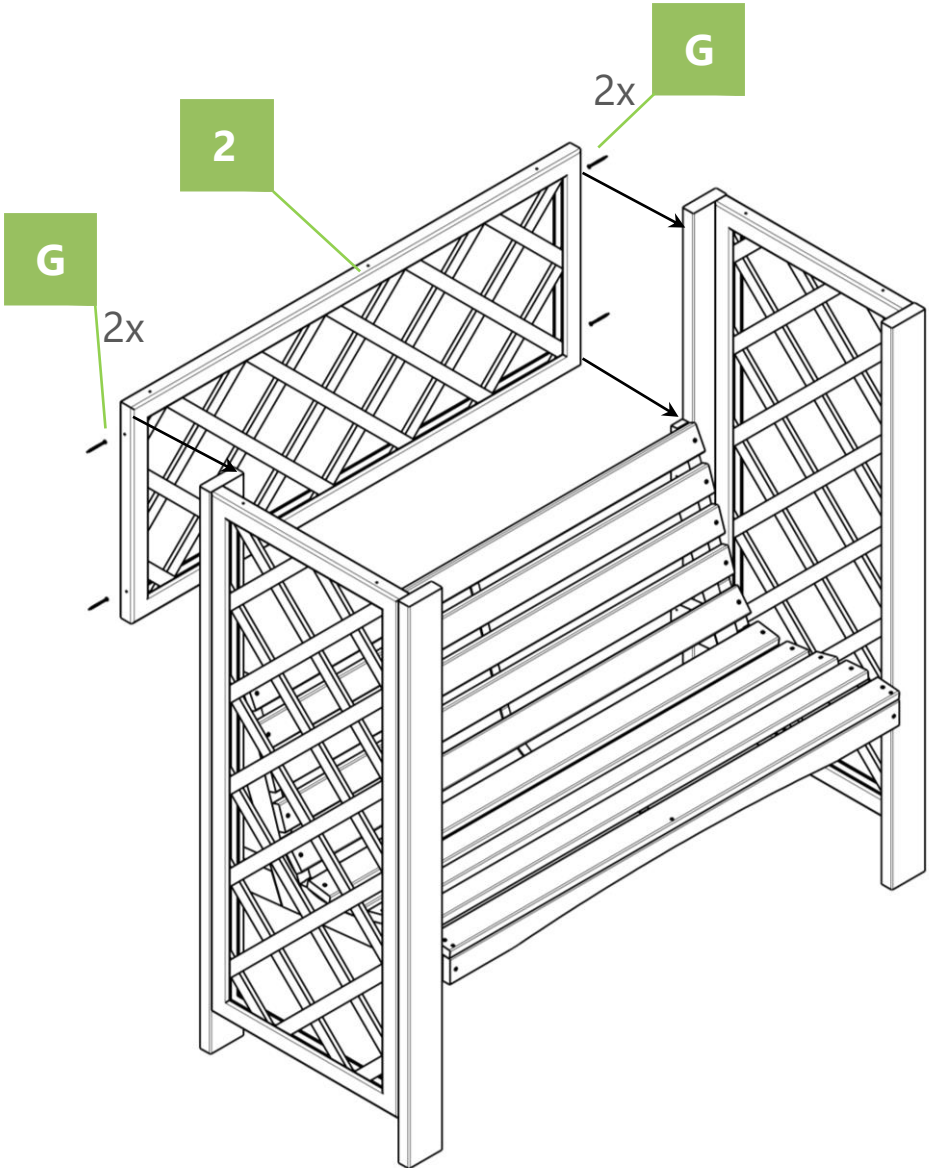
Step 5



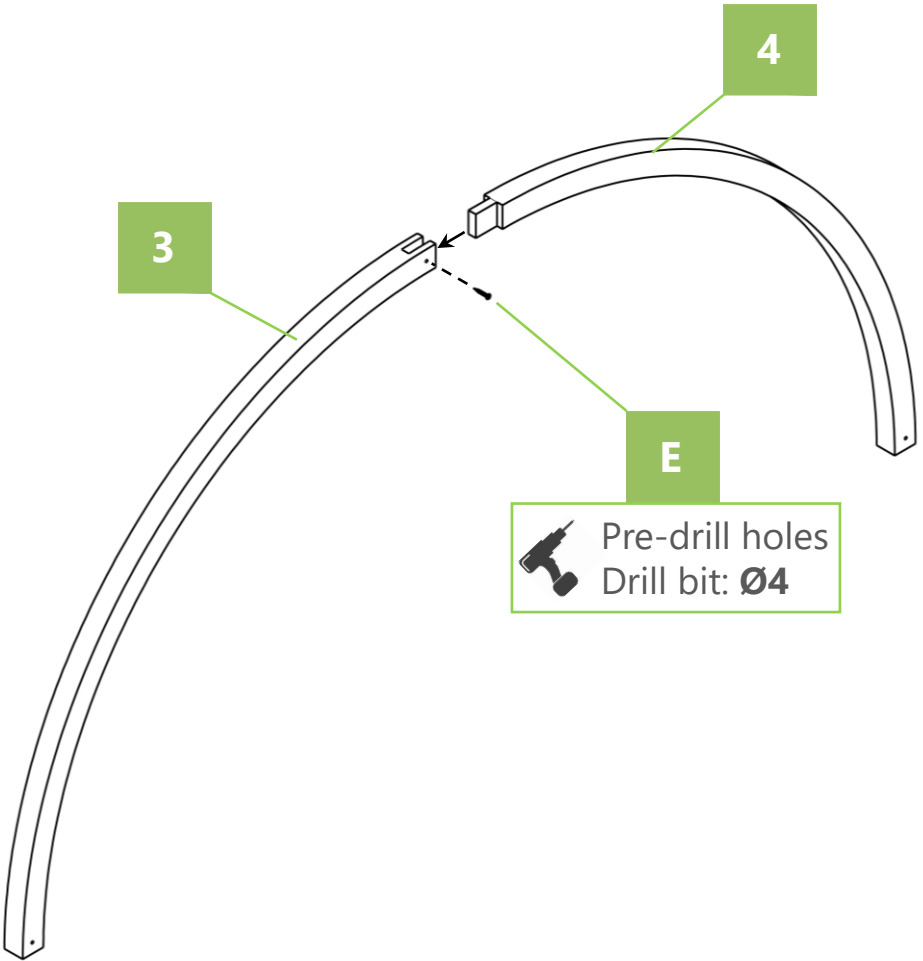
Step 6



Step 7

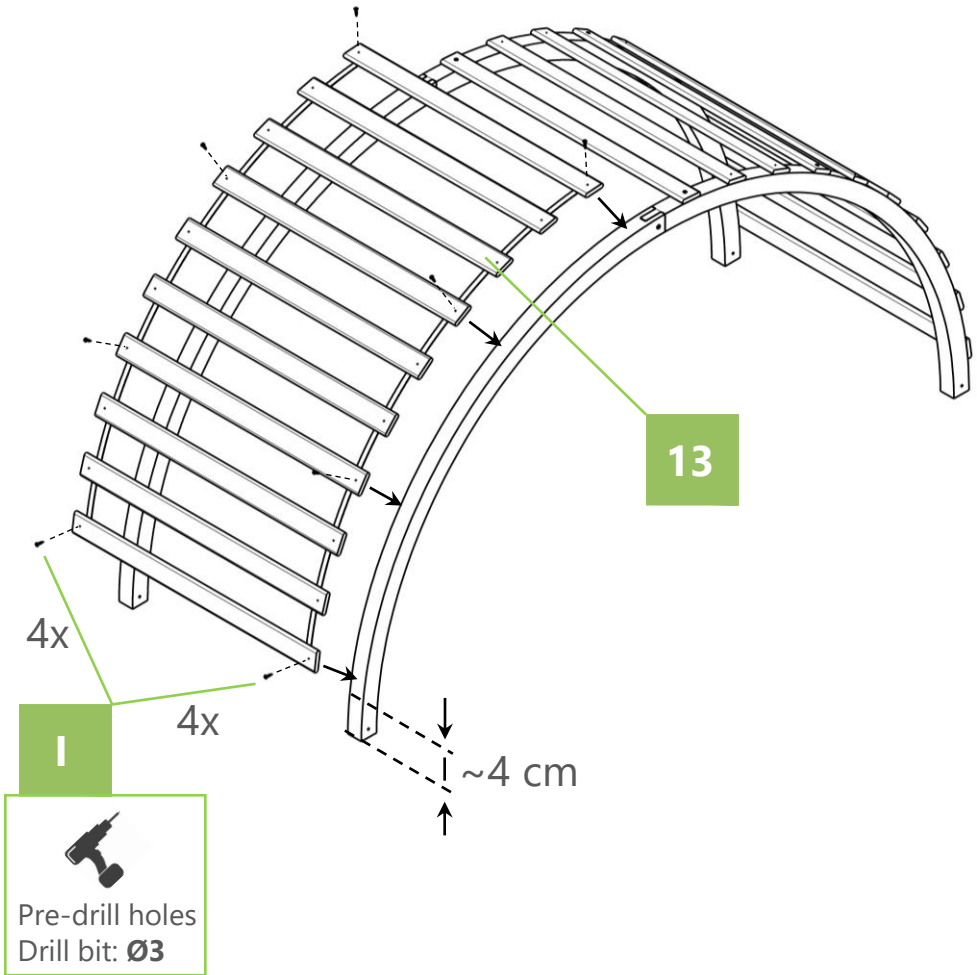


Step 8

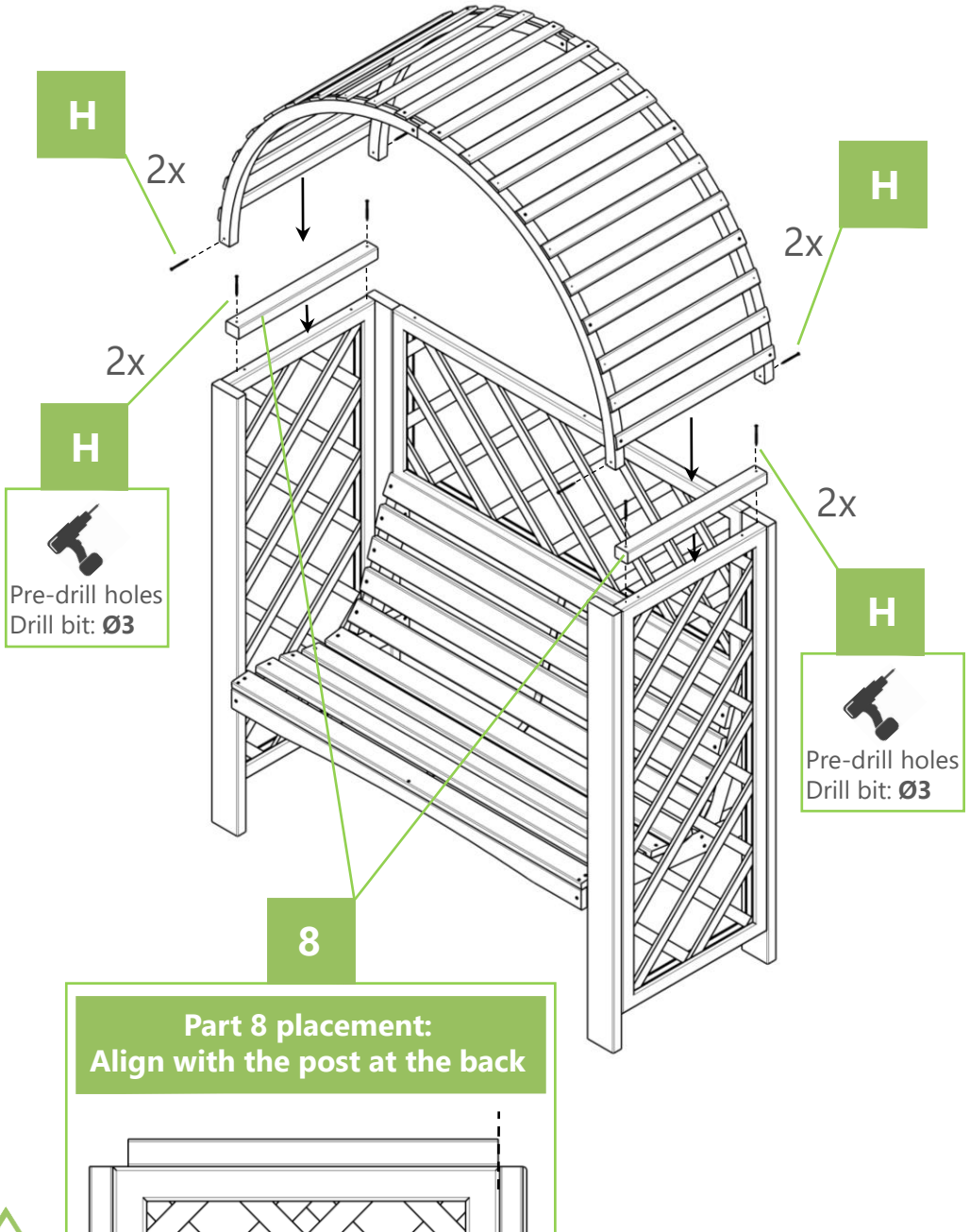


Assemble 2 such segments

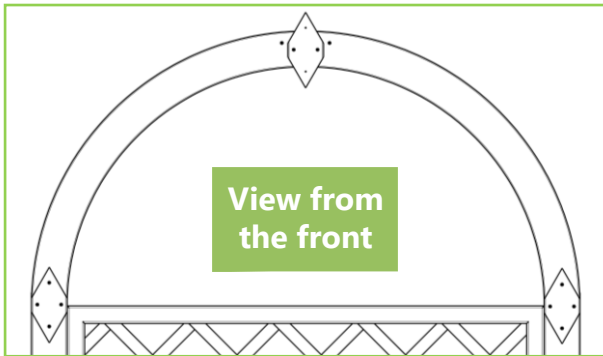
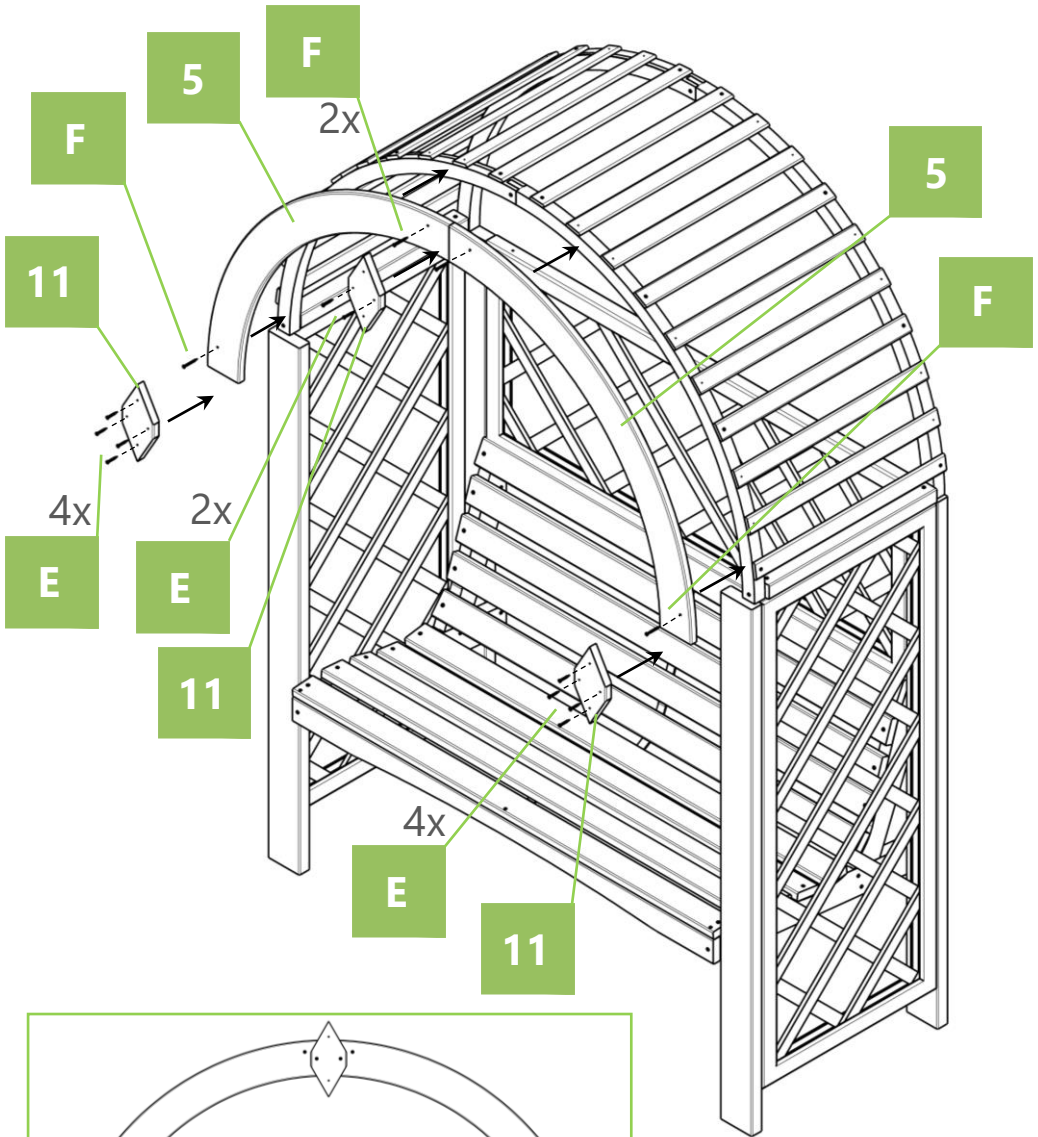
Step 9



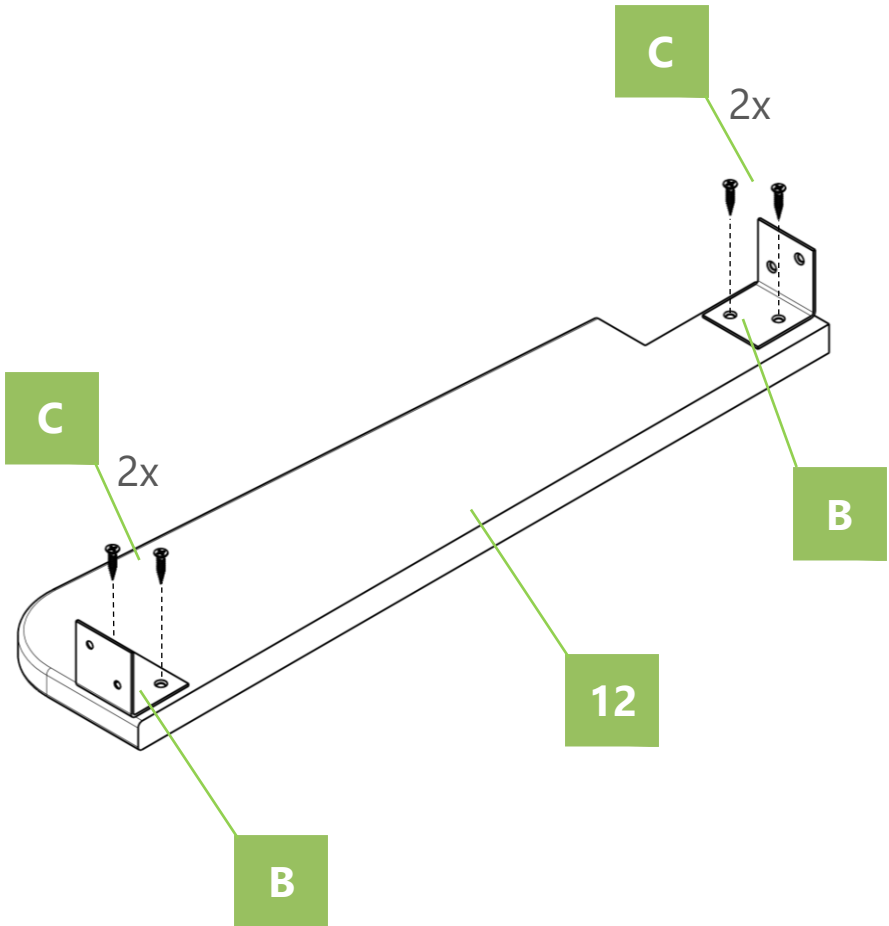
Step 10



Step 11



Step 12



Step 13

The armrest placement

